

REVERSING THE TRAIL-LITE™ HOLSTER CONTINUED

Step 3

Align the holster body and belt loops [as shown in figure 3]. The barrel nuts that were inserted in the holster body during step 2 will now be aligned with the holes on the adapter [Item H]. These components will need to be secured with 2 of the short screws [Item B] and two of the finishing washers [Item C]. Insert the short screws through the washers and then through the back side of the belt loop on the right side as shown. The screws are to engage the barrel nuts installed in the holster body during step 2. **DO NOT OVER TIGHTEN THE SCREWS.**

Figure 3

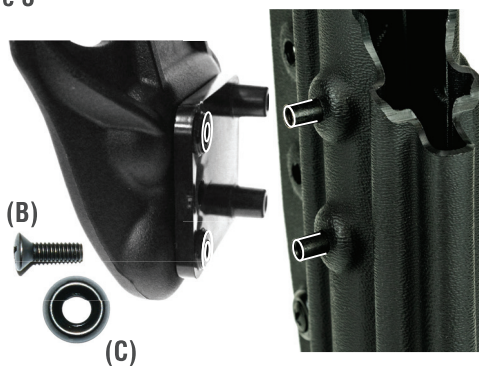


Figure 4



Step 4

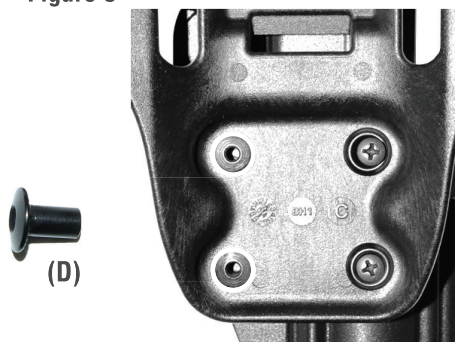
Insert the rubber spacers [Item E] between the sides of the holster as shown in figure 4. Insert the two longer screws [Item A] through the finishing washers [Item C] and into the holster body and rubber spacers as shown in figure 4.



Step 5

Finally insert the two remaining barrel nuts [Item D] into the back of the belt loop on the left side as shown in figure 5. Tighten the long screws to the point where the rubber spacer starts to compress. Your holster is now configured for left-hand draw.

Figure 5



ADJUSTING RETENTION



Figure 6

With your firearm unloaded, insert it into the holster to check the holster's retention. If the holster's retention is loose, tighten the long screws until an acceptable amount of retention is applied. If the retention is too firm, loosen the screws to allow for an acceptable retention.

Figure 6

REVERSING THE TRAIL-LITE™ HOLSTER FOR LEFT-HAND DRAW

All Tactical Solutions Trail-Lite™ Holsters are shipped assembled for right-hand draw. The following steps will guide you through the assembly process to configure your holster for left-handed shooters.

COMPONENTS & HARDWARE

Qty – 3, 8/32 x 1/2" Philips Oval Screw (A)

Qty – 2, 8/32 x 1 1/2" Philips Oval Screw (B)

Qty – 5, #8 Finishing Washer (C)

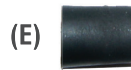
Qty – 5, 8/32 x 3/8" Barrel Nut (D)

Qty – 3, Rubber Spacer (E)

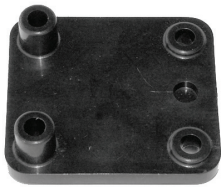
Qty – 1, Holster Body (F)

Qty – 1, Belt Paddle (G)

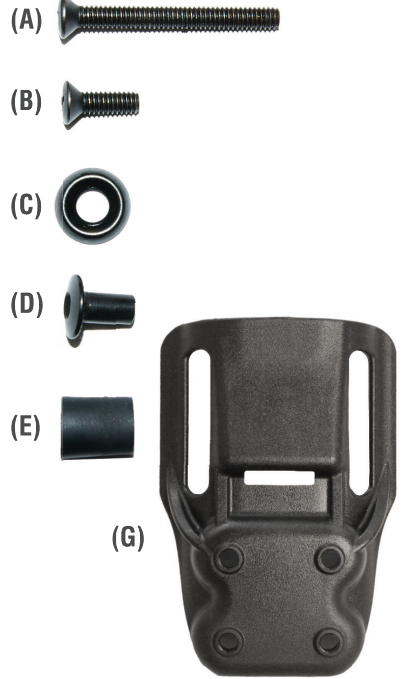
Qty – 1, Adaptor (H)



(H)



(F)



(G)

Step 1

To configure your Trail-Lite™ holster for left-hand draw, several components need to be reversed. Before completely disassembling the holster, study how it is constructed. Once the holster is completely disassembled, position the belt loop [Item G] and the adaptor [Item H] as shown in Figure 1. The belt loop and adaptor should snap together, and may require a little force.

Figure 1

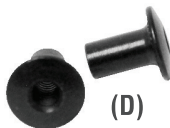


Correct for Left hand

Correct for Right hand

Figure 2

(F)



(D)

Step 2

Take the two barrel nuts [Item D] and insert them through the holes on the inside of the holster body [Item F]. Pay particular attention to the side of the holster body that the barrel nuts are being inserted through [See figure 2].